

eIC52MS

CEILING LOUDSPEAKERS


Marine / Sauna In-Ceiling Loudspeaker



PRODUCT OVERVIEW

eIC52MS is a 2 way cost-effective in-ceiling loudspeaker with a great sound performance, suitable for installations exposed to extreme humidity and/or temperature. It features a 5" woofer and a 1" tweeter, 20 WRMS @ 8 ohm nominal power.

KEY FEATURES

- Two-way speaker, 5" woofer + 1" tweeter
- 20 WRMS
- Faston male input terminals: 4.8mm (+) and 2.8mm (-)
- Suitable for installations exposed to extreme humidity and/or temperature
- EASE Win file available 

APPLICATIONS

- Saunas
- Spas
- Aquariums
- Ships
- Harbours

TECHNICAL SPECIFICATIONS

eIC52MS

| System | |
|--|---|
| Effective frequency range ¹ | 83 Hz-20 kHz |
| Coverage angle ² | 155°x155° (HxV) |
| Power handling | 20 W RMS / 80 W Peak |
| Sensitivity ³ | 91 dB (1W/1m) |
| Maximum SLP | 104 dB continuous / 110 dB peak |
| Recommended amplifier power | 40 W RMS |
| Transducers | |
| Ways | 2 |
| Low frequency driver | 5" woofer |
| High frequency driver | 1" tweeter |
| Nominal impedance | 8Ω |
| Physical | |
| Connection type | Faston male input terminals: 4.8mm (+) and 2.8mm (-) |
| Installation options | In-ceiling, in-wall |
| Environmental | IP54 rated |
| Grille fixing system | 4 x Screw fixing system |
| External diameter | 165 mm / 6.5" |
| Internal diameter | 120 mm / 4.72" |
| Finished colour | White (RAL 9016) |
| Required depth | 79 mm / 3.11" |
| Weight | 0.70 kg / 1.54 lb |

¹10dB below the sound pressure level at specified sensitivity

²6dB below the sound pressure level than that at the direction of maximum level, Average from 1 kHz to 4 kHz.

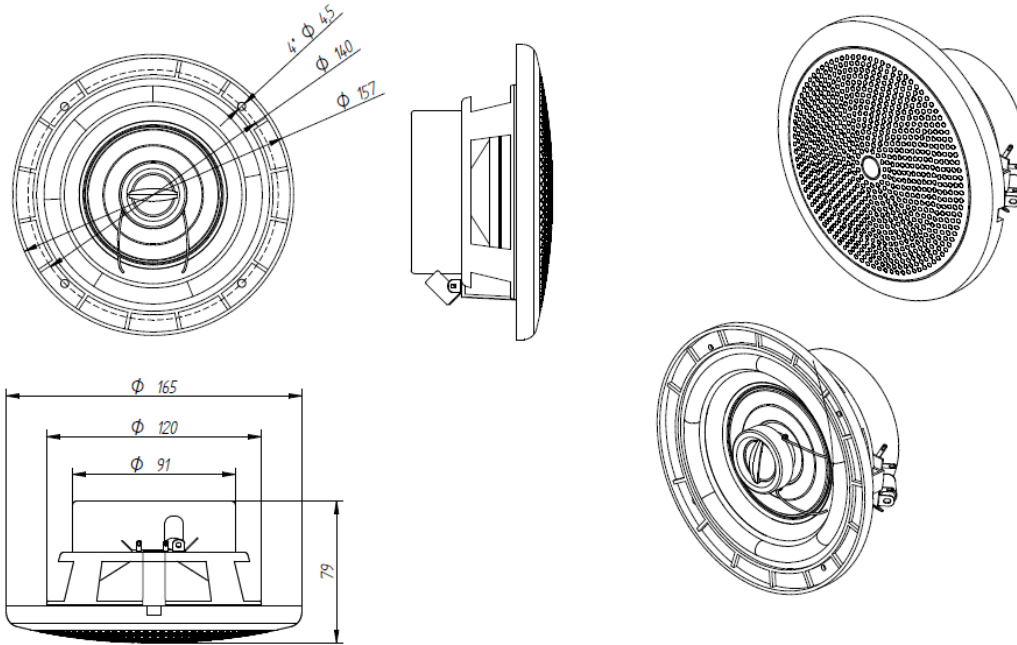
³Measured on-axis, far field and referenced to 1 meter by inverse square law. Average from 100 Hz to 10 kHz.

⁴Calculated from sensitivity and power handling specifications, exclusive of power compression

MECHANICAL DIAGRAM



Ecler eIC52MS Mechanical Diagram

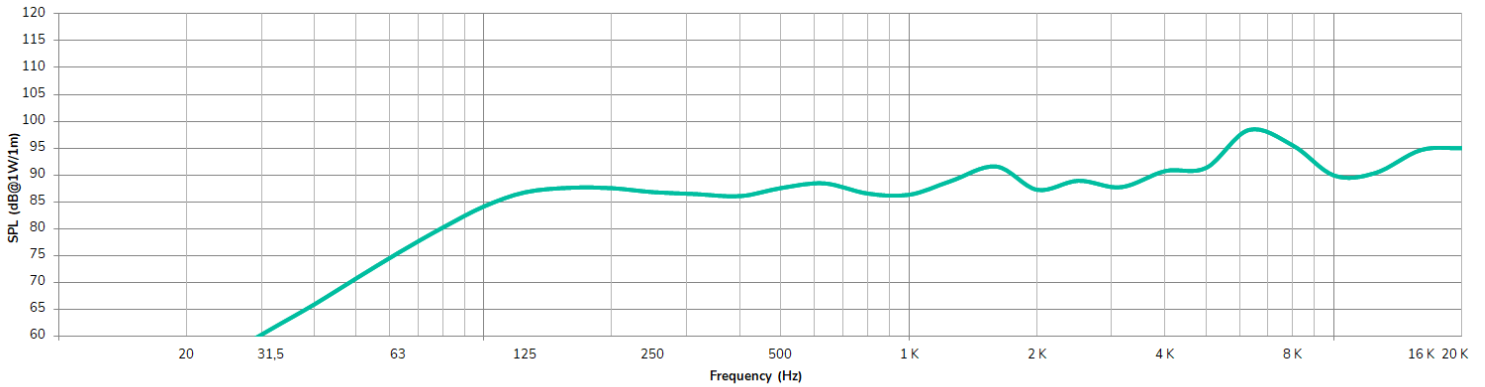


All the measurements are in mm

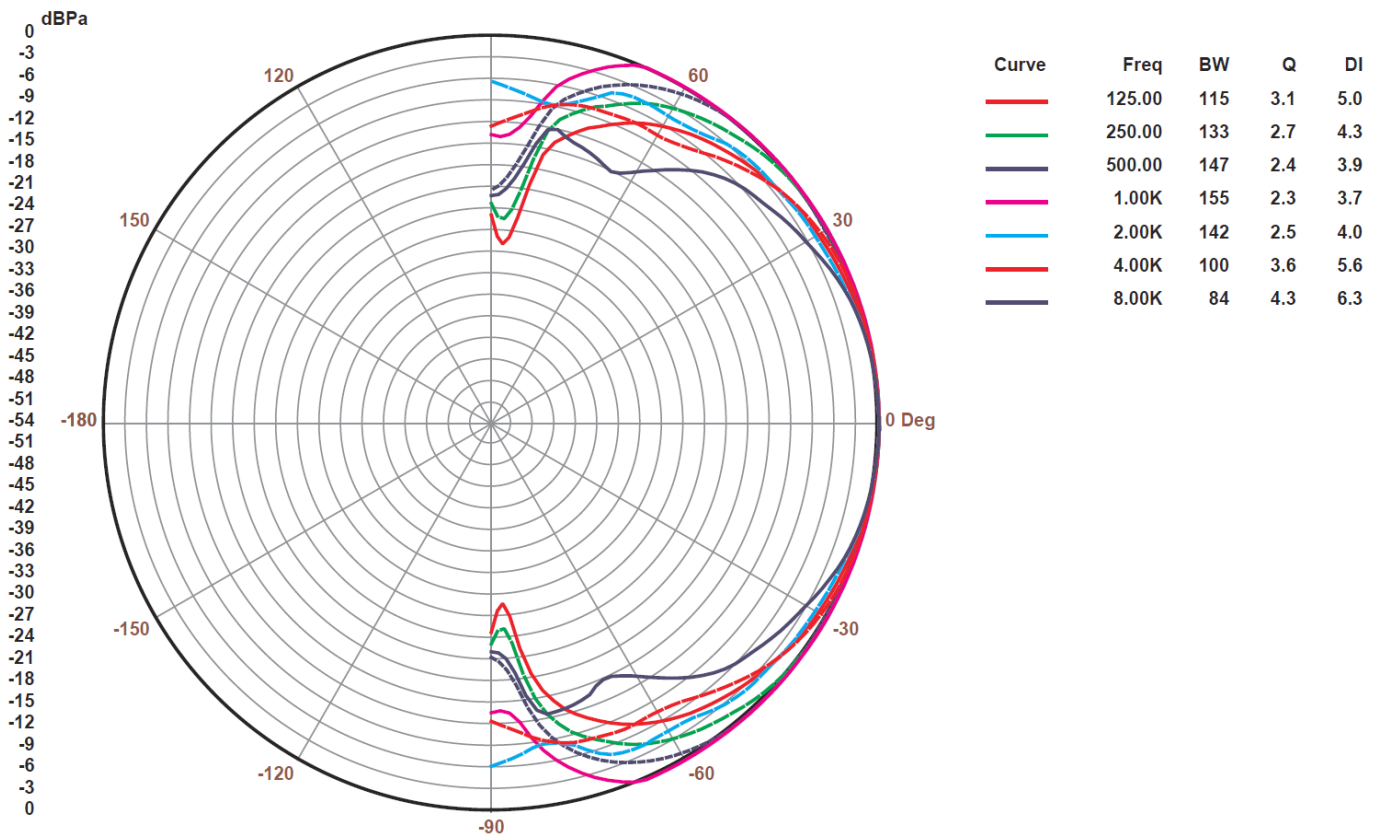
61-1113-0100

www.ecler.com

FREQUENCY RESPONSE



POLAR DIAGRAMS



All product characteristics are subject to variation due to production tolerances. **NEEC AUDIO BARCELONA S.L.** reserves the right to make changes or improvements in the design or manufacturing that may affect these product specifications.

For technical requests address to your supplier, distributor or fill the contact form in our website, at [Support / Technical Request](#).

Motors, 166-168 08038 Barcelona - Spain - (+34) 932238403 | information@ecler.com | www.ecler.com