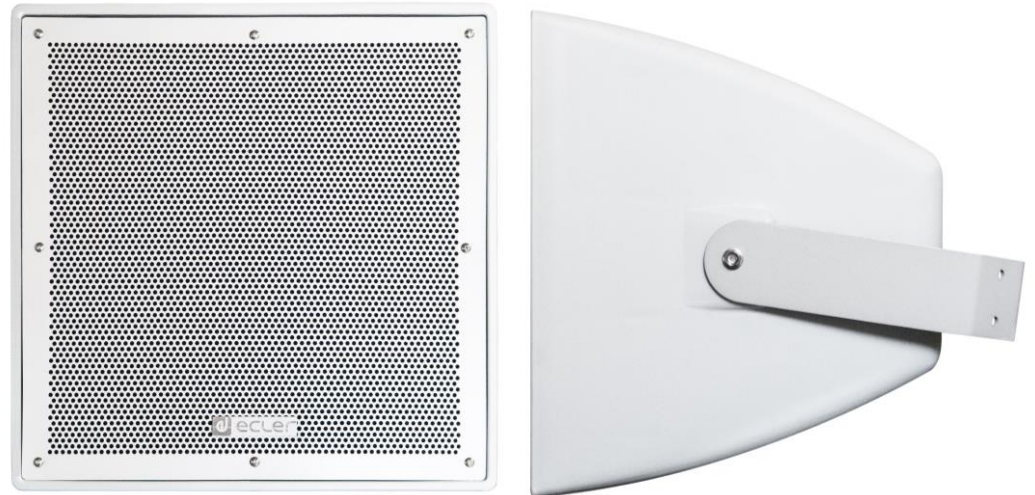


eCMP12

SPECIALIZED LOUDSPEAKERS

Musical Projector



PRODUCT OVERVIEW

eCMP12 is a 300W high efficiency musical projector ready for outdoor applications due to its waterproof and sun screening building material (IP56). It performs a 12" LF driver and 1,7" HF coaxial driver, 300W @ 8 Ω nominal power and 70/100V line transformer with 50/100/200W/8 Ω power options.

KEY FEATURES

- Weatherproof 2-way music projector.
- 300 W @ 8 Ω
- Power options 100V: 50/100/200W/OFF and 8 Ω
- Power options 70V: 25/50/100W/OFF and 8 Ω
- Input & output connection via terminal block
- Frequency response (-10dB): 91 Hz-20 kHz
- Dispersion (HxV): 107° x 107°
- Material: Polypropylene, aluminium (grille), hot-dipped galvanized steel (U-bracket)
- Weather-resistant IP56 rating

APPLICATIONS

- Commercial
- Hospitality
- Education
- Corporate
- Sports and wellness
- House of worship
- Leisure

TECHNICAL SPECIFICATIONS

eCMP12

| System | |
|--|--|
| Effective frequency range ¹ | 91 Hz-20 kHz (-10dB) |
| Coverage angle ² | 107°x107° |
| Power handling | 300 W RMS / 1200 W Peak |
| Sensitivity ³ | 100 dB (1W/1m) |
| Maximum SPL ⁴ | 125 dB continuous / 131 dB peak |
| Power options | 100V: 50/100/200W/OFF and 8 Ω 70V: 25/50/100W/OFF and 8 Ω |
| Recommended amplifier power | 600 W RMS |
| Transducers | |
| Ways | 2-ways long throw |
| Low Frequency driver | 12" |
| High Frequency driver | 1,7" coaxial |
| Nominal impedance | 8Ω |
| Filters | |
| Crossover filter | 2,1 kHz |
| Physical | |
| Connection type | Terminal block (input+output) |
| Environmental | IP56 rated |
| Enclosure material | Polypropylene |
| Grille material | Aluminium |
| Mounting system | Hot-dipped galvanized steel U-bracket |
| Operating temperature | Min: -10°C; 14°F Max: 40°C; 104°F |
| Operating humidity | <85% HR |
| Storage temperature | Min: -10°C; 14°F Max: 40° ; 104°F |
| Storage humidity | <90% HR |
| Finished color | Grey (RAL 538C) |
| Dimensions (WxHxD) | 407 x 410 x 378 mm / 16.0 x 16.1 x 14.9 in. (If the mounting bracket is added the total depth will be 443mm / 17.45") |
| Weight | 20.0 kg / 44.1 lb |
| Shipping Dimensions (WxHxD) | 475 x 490 x 445 mm / 18.7 x 19.29 x 17.52 in. |
| Shipping Weight | 21.3 kg / 46.96 lb |

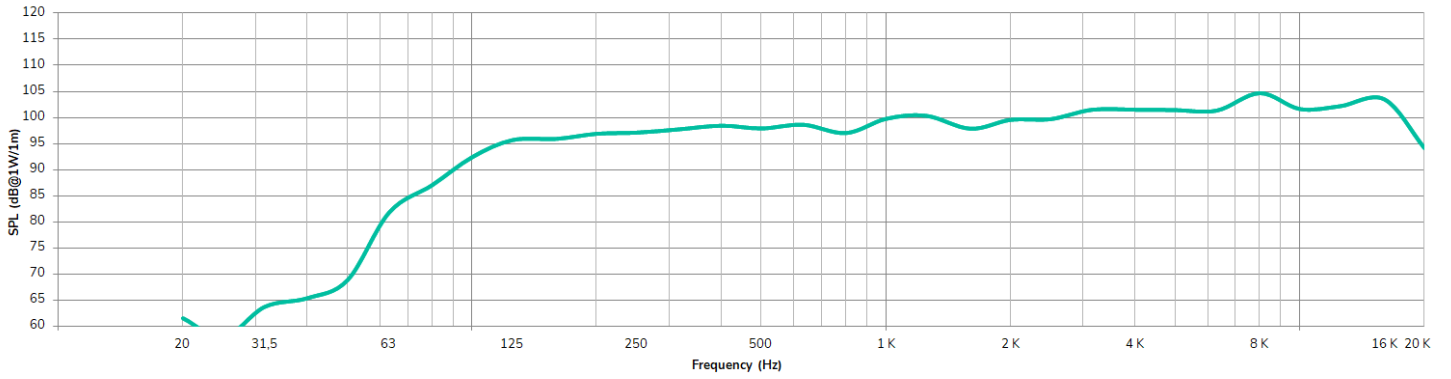
¹10dB below the sound pressure level at specified sensitivity

²6dB below the sound pressure level than that at the direction of maximum level. Average from 1 kHz to 4 kHz.

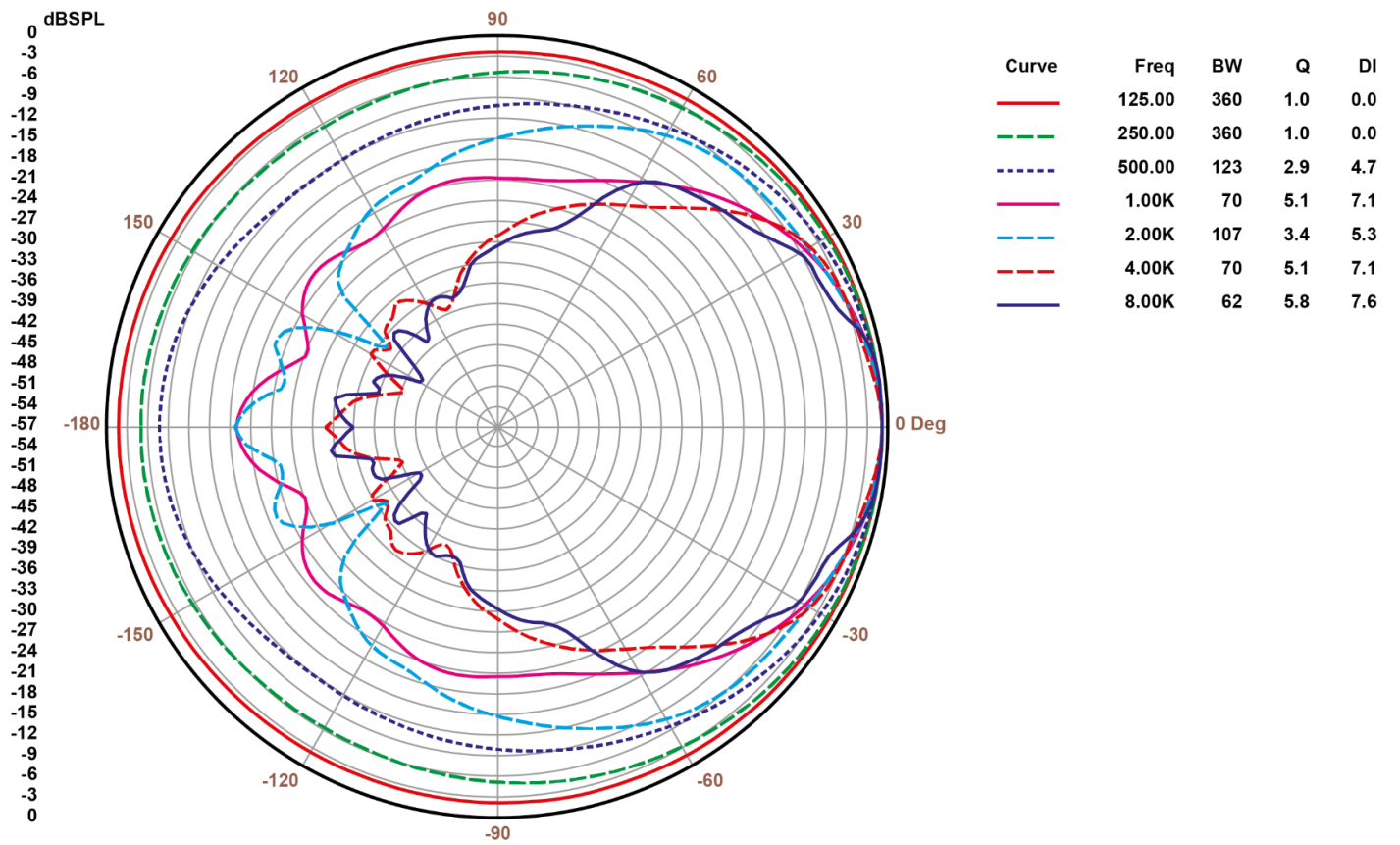
³Measured on-axis, far field and referenced to 1 meter by inverse square law. Average from 100 Hz to 10 kHz.

⁴Calculated from sensitivity and power handling specifications, exclusive of power compression

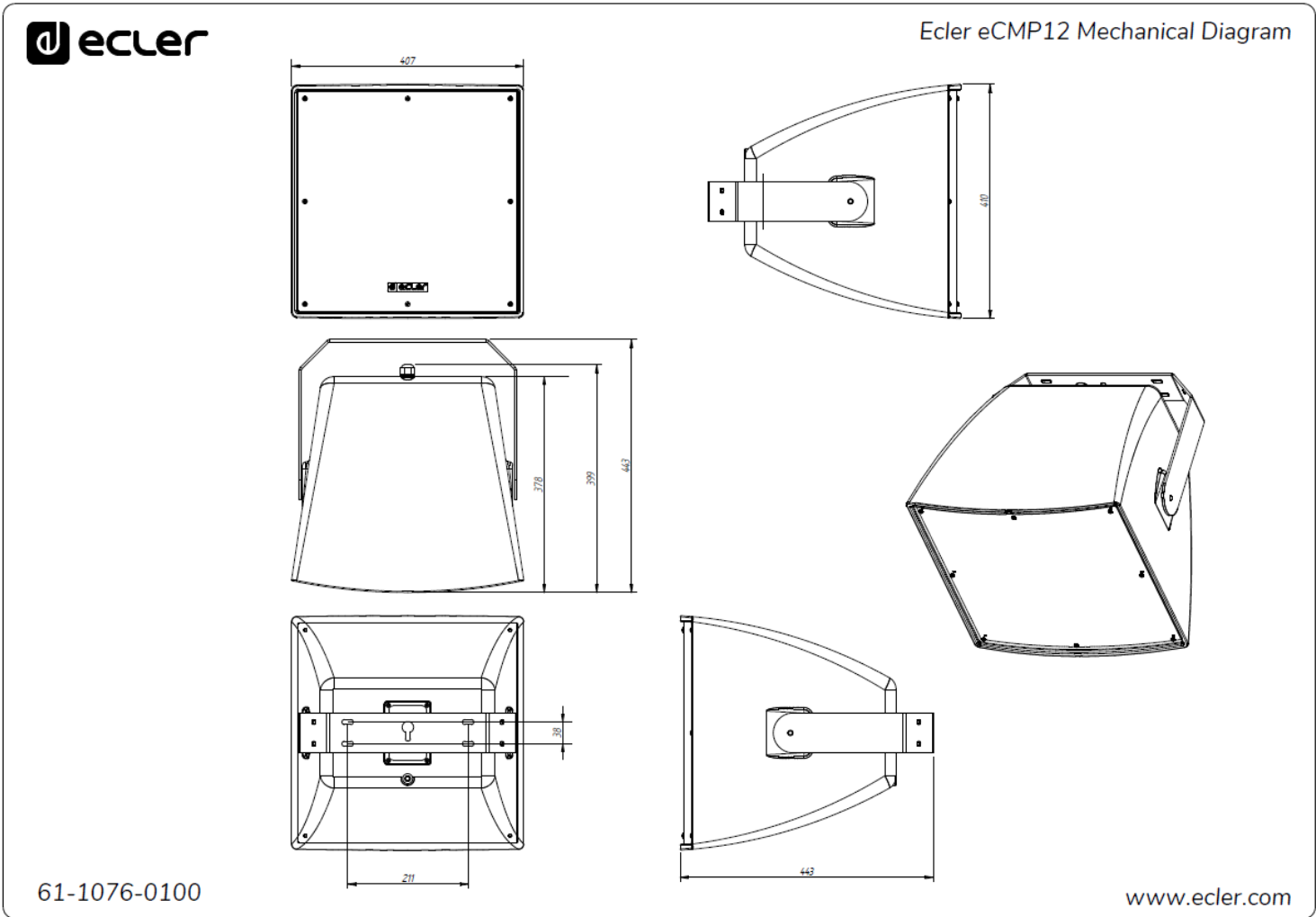
FREQUENCY RESPONSE



POLAR DIAGRAMS



MECHANICAL DIAGRAMS



All product characteristics are subject to variation due to production tolerances. **NEEC AUDIO BARCELONA S.L.** reserves the right to make changes or improvements in the design or manufacturing that may affect these product specifications.

For technical queries contact your supplier, distributor or complete the contact form on our website, in [Support / Technical requests](#).

Motors, 166-168 08038 Barcelona - Spain - (+34) 932238403 | information@ecler.com | www.ecler.com